

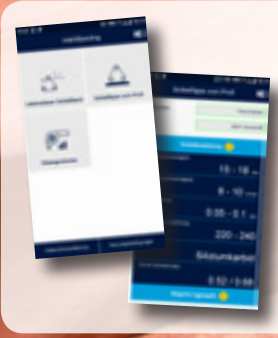
Remove coarse parts. Giving fine results.

HC HOMAG

Our Wide-Belt Sanding Machine
SANDTEQ W-200

YOUR SOLUTION





NEW

The IntelliSanding App is your perfect companion for everything concerning sanding. Download the app from your store today!





Discover the possibilities. The HOMAG SANDTEQ W-200.

For more than 70 years, HOMAG sanding technology has been renowned for its powerful wide-belt sanding machines and innovative surface processing. This includes special and universal sanding machines for calibration, fine sanding and lacquer sanding. Always focused on processing wood and wood-like materials.

HOMAG is present and active throughout the world. Whether consulting, selling or providing fast on-site service, HOMAG is ably supported and represented in over 65 countries.

YOUR SOLUTION

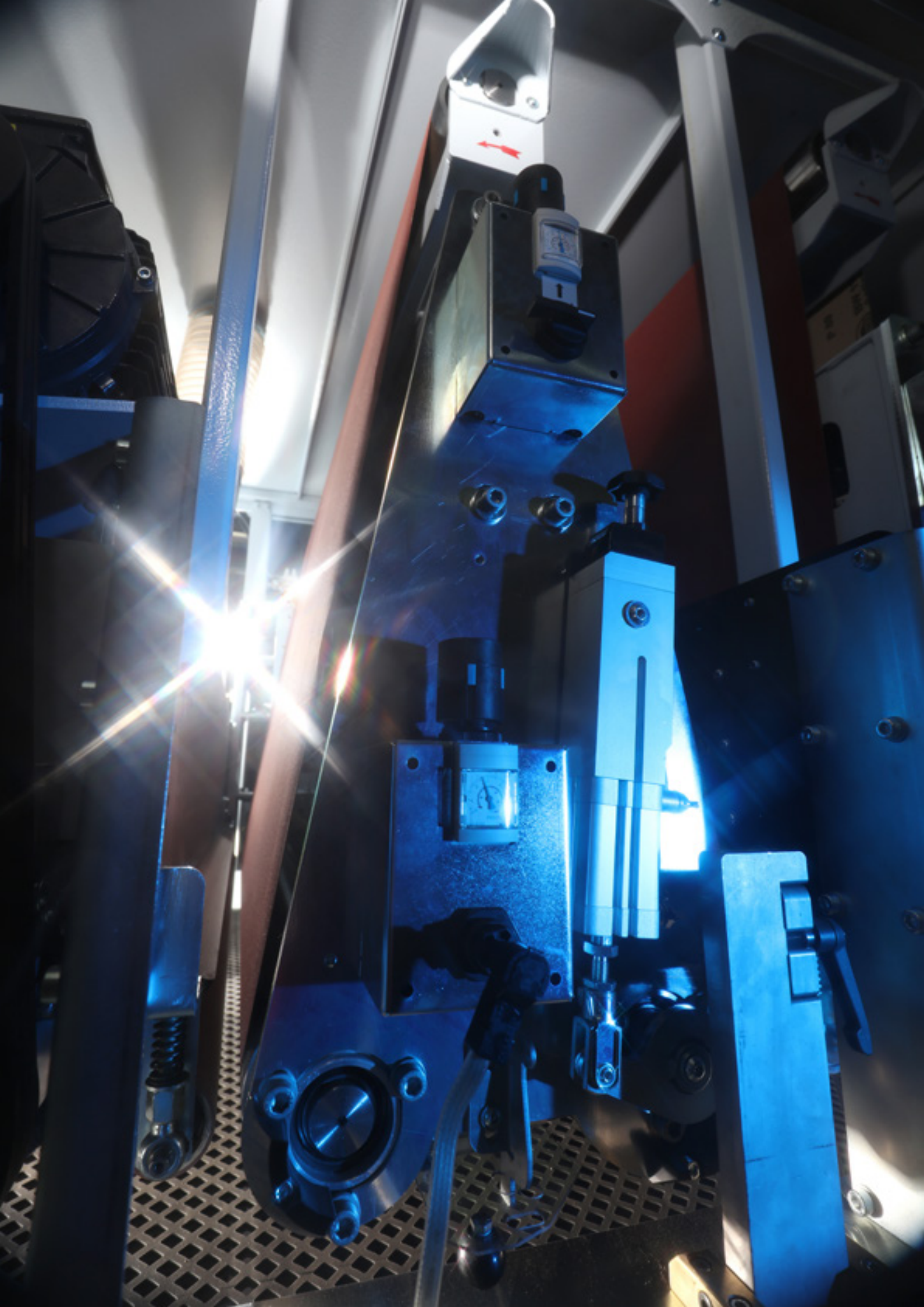
MORE: HOMAG.COM



SANDTEQ W-200

CONTENT

- 04 Introduction
- 06 SANDTEQ W-200
- 08 Configuration models
- 10 Sanding heads technology
- 16 Special heads
- 20 Pressure beam systems
- 22 All inclusive
- 24 Options
- 28 Technical data
- 30 Life Cycle Services



Technology that inspires...

The following pages present the variety of our Sanding Machine SANDTEQ W-200 for the performance of customized sanding tasks in surface processing. Due to many configuration possibilities the SANDTEQ W-200 is an ideal solution for the demanding craftsman as well as

for industrial requirements. With many years of experience and close customer contact, HOMAG Sanding Technology provides a wide product range for customer-specific tasks. Everything for the right finish, as this is the prerequisite for a perfect surface. That's HOMAG Sanding Technology.

“The SANDTEQ W-200 – provides most demanding sanding technology for everyone with the Super Finish Head with internal lamella belt - sanding made easy!”

Torben Hellmann, Area Product Management Surface Processing, HOMAG



Workpiece thickness measuring

- Automatic measuring of workpiece thickness and automatic set-up of the machine to the measured thickness.



Grit size compensation

- Simple and precise grit size compensation by adjustment via hand wheel. Dimensions for the grit size compensation are provided in the respective sanding programme



Solid machine frame

- Very rigid frame design with high running precision and good access e.g. for cleaning.

Up to **2** heads in
a single machine frame

Working width

1350 mm

7 head combinations

Very stable – total weight up to

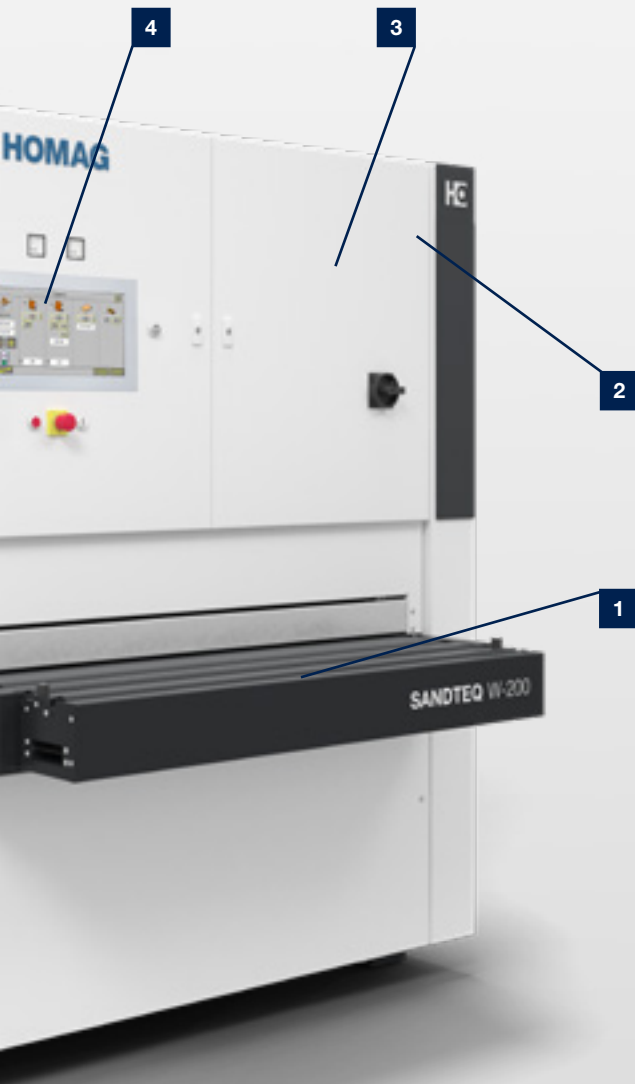
4,000
kg for an SANDTEQ W-200 (CH)



The SANDTEQ W-200

The series is as versatile as its users. On the basis of extensive experience and professional know-how, the available head combinations are adjusted to your conditions

and tasks. Learn more about our performance packages with an optimal price-performance ratio.



- 1** Secure, careful workpiece transport for years. Highquality feed belts and specially rubberized rollers ensure this.
- 2** Optional air-conditioning unit for areas with high ambient temperatures and for increasing the durability of electronic components
- 3** Integrated switch cabinet
- 4** 15" Touchscreen Operator Terminal
- 5** Doors on the belt changing side with window insert. This provides an insight into the process. The E-Lock protects employees.
- 6** The constant working height enables the use of various infeed and outfeed extensions.
- 7** In the machine base are for example the drive motors, vacuum ventilator and the height adjustment. No additional space requirements and dust-protected.



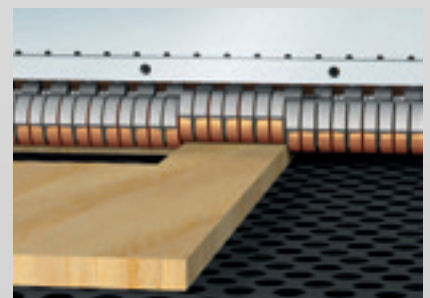
Workpiece thickness setting

- Workpiece thickness setting by four threaded spindles



Solid guidance by rubber-covered pressure rollers

- Spring-loaded pressure rollers with solid guidance. The pressure elements are situated with minimum distance to the intervention area. An additional pressure roller is in front of and behind the workpiece detection..



Optimal tracing with eps® system

- Electronically controlled segmented pressure beam system for efficiently retaining the pressure of the sanding belt. Automatic adjustment to the segments on the surface of the workpiece

Do whatever you want...!

Depending on the focus of the application and the quantity of the volume to be processed, machines are available comprising one to two heads and valuable optional extras. You can benefit from our machines, optimized by the

experience of our application engineers together with our customers. These models ensure the right finish, because this is the prerequisite for a good surface result.

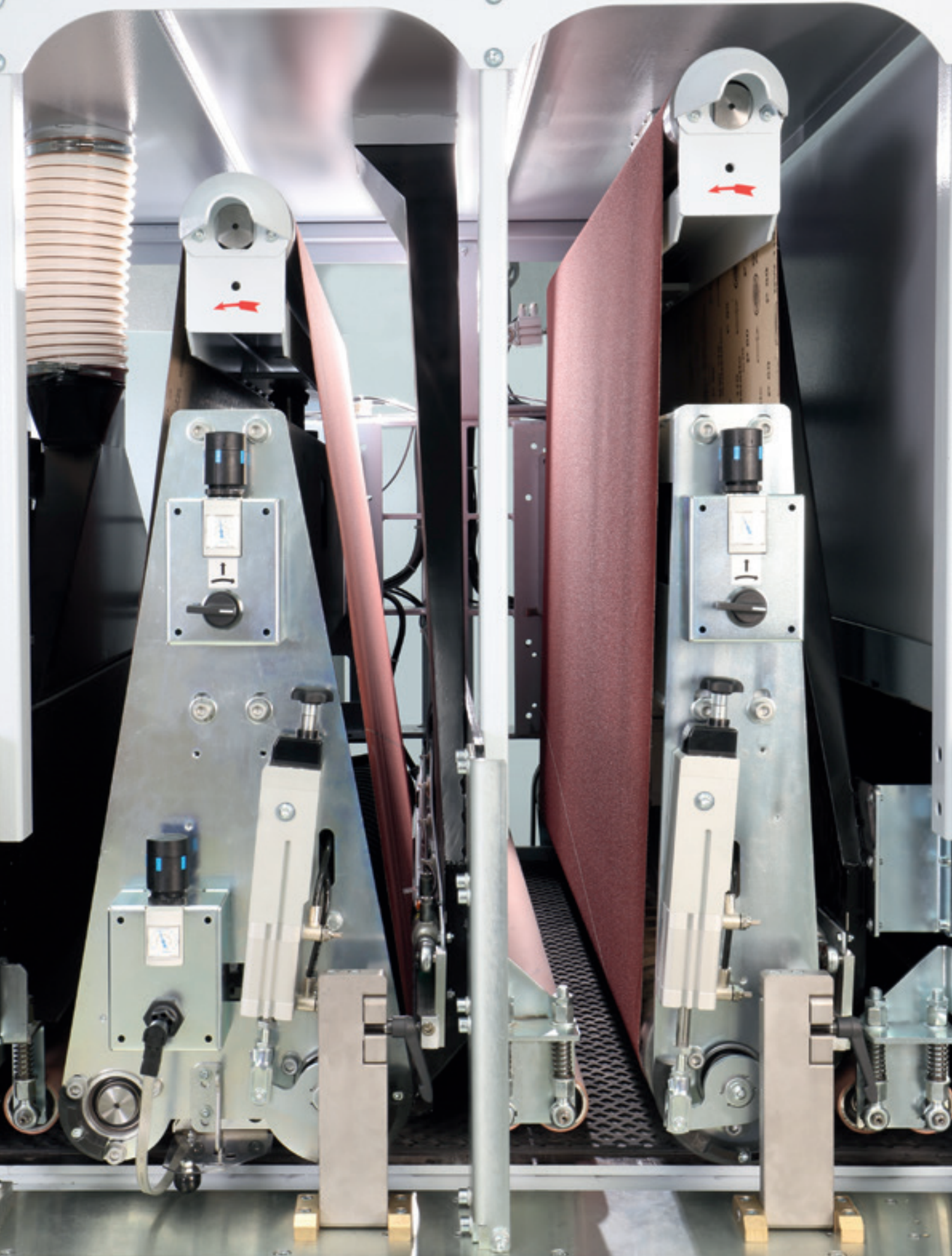
Configuration	Head	Pressure beam systems	Solid wood	Veneer	Lacquer
Standard	C		acp [®]	■	
	RC		acp [®]	■ ■	
Performance / Advance	C		eps [®]	■	■ □
	RC		eps [®]	■ ■	■ □
	RH		eps [®]	■ ■	■ □ □
	CC		eps [®]	■ ■	■ ■ □
	CH		eps [®]	■ ■	■ ■ □ □

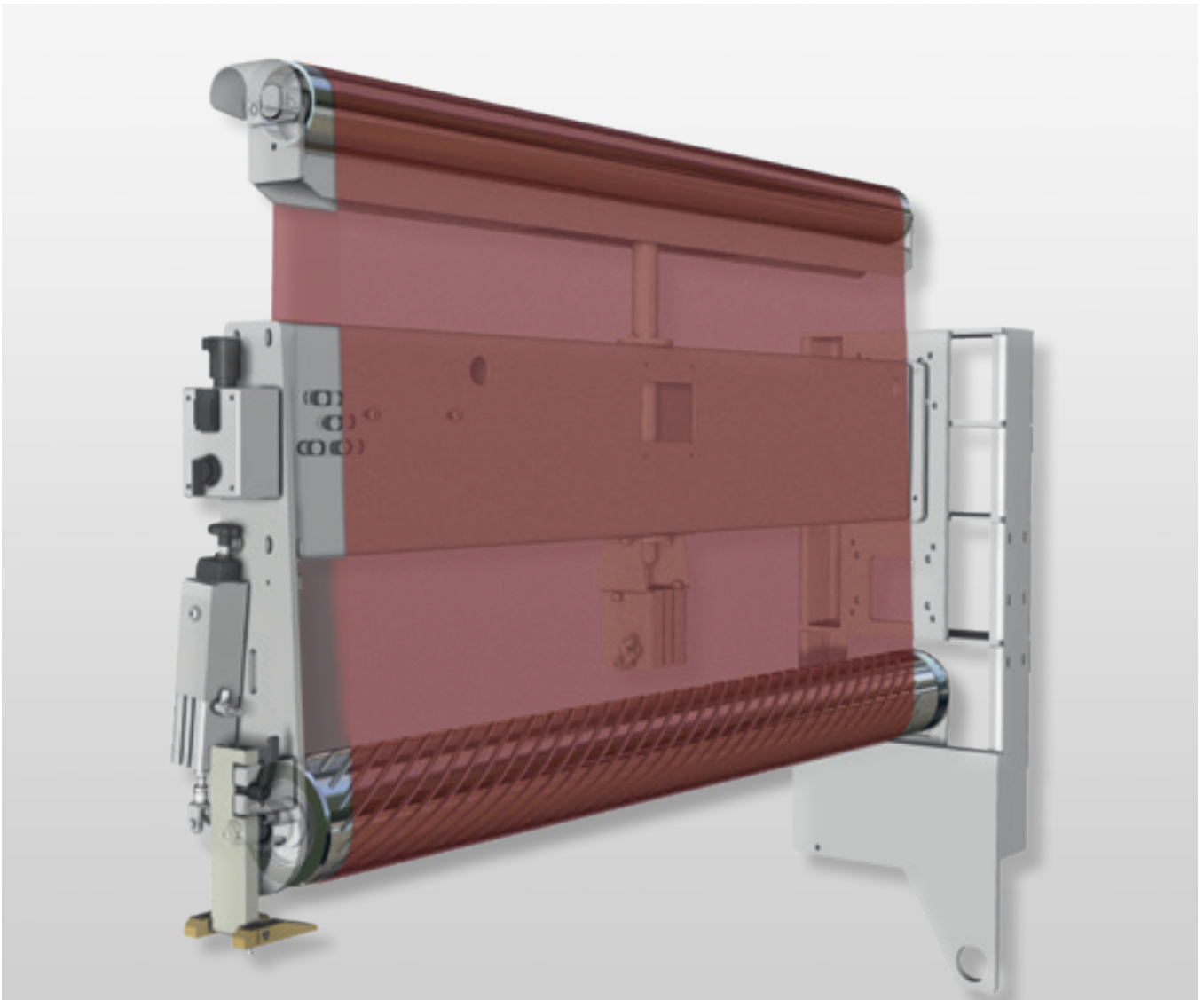
As standard:

- Well suited
- ■ Very well suited

Available as option:

- Well suited
- □ Very well suited





Standard

Contact roller with manual grain size offset

- Always the correct final dimension by offsetting the thickness differences between different grain sizes.



Standard

Head locking

- Safe and simple quick lock of heads and fast change of sanding belt



Standard

Part guidance by rubberised pressure rollers

- Spring-loaded pressure rollers with stable guiding function.
- Pressure elements with minimum spacing to the intervention area.

R-Head |

Dimensional accuracy with tight tolerances

Do you machine large quantities of solid wood and want to calibrate to full width with high removal rates? Then you are in the right place.

- The head for calibration and roughening of surfaces.
- The R-head allows precise calibration with high stock removal rates. Very efficient: the maintenance-free profiled contact roller. It avoids the so-called “wash-out effect” – possible when sanding wood with large density differences (summer resp. late wood).

Applications:

- Calibrated sanding of wood and wood materials
- Roughening of surfaces suitable as mechanical key for glueing

Range of useful grains:

- Calibration: P60 - P120

„The R-head impresses through accurate calibration with high removal rates...“

Matthias Picker, Product Manager Surface Processing, HOMAG



Standard

Motors with 15 kW

- Drive power, together with material hardness, sanding materials and feed speed determine maximum chip removal.

Optional

Frequency controlled motors

- If a defined surface quality is required.



Optional

Contact roller

- Rubberised contact roller with 155 mm diameter



Optional

Sanding belt blow-off device

- Higher surface quality and longer sanding belt tool life.

C-Head |

The 2 in 1 head

You require calibration and fine sanding of solid wood and wood-based materials? And that in a very small space? Then you are in the right place.

- **Combined unit with profiled contact roller and acp® system for the Standard model. eps® system for Performance and Advance models.**
- **The use of the contact roller in the C-Head allows precise calibration without “wash-out effect”.**

- **Calibration and fine sanding of solid wood and wooden materials**

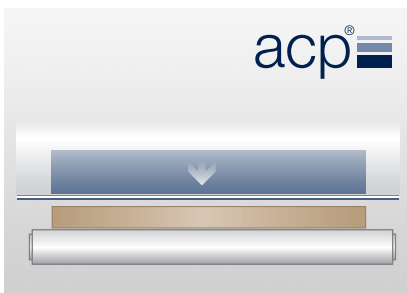
Range of useful grains:

- **Calibration: P60 - P120**
- **Fine sanding: P120 - P220**

Applications:

“If versatility is more important than high volumes, then the universal C-Head is your best choice!...”

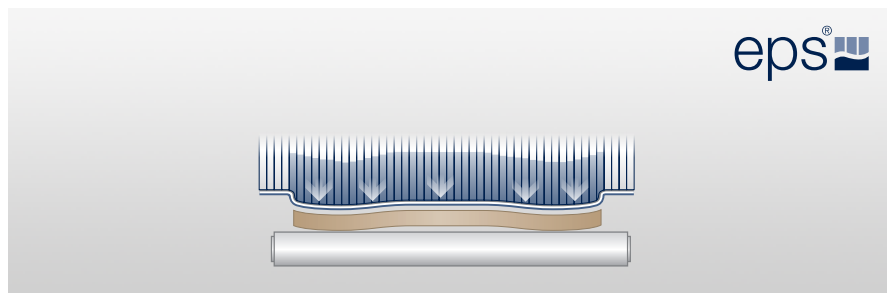
Johann Oestmann, Area Product Management Surface, HOMAG



Standard

acp® pneumatically supported pressure beam system

- Workpiece detection not segmented
- Constant cutting speed
- Performance sanding belt set



Performance

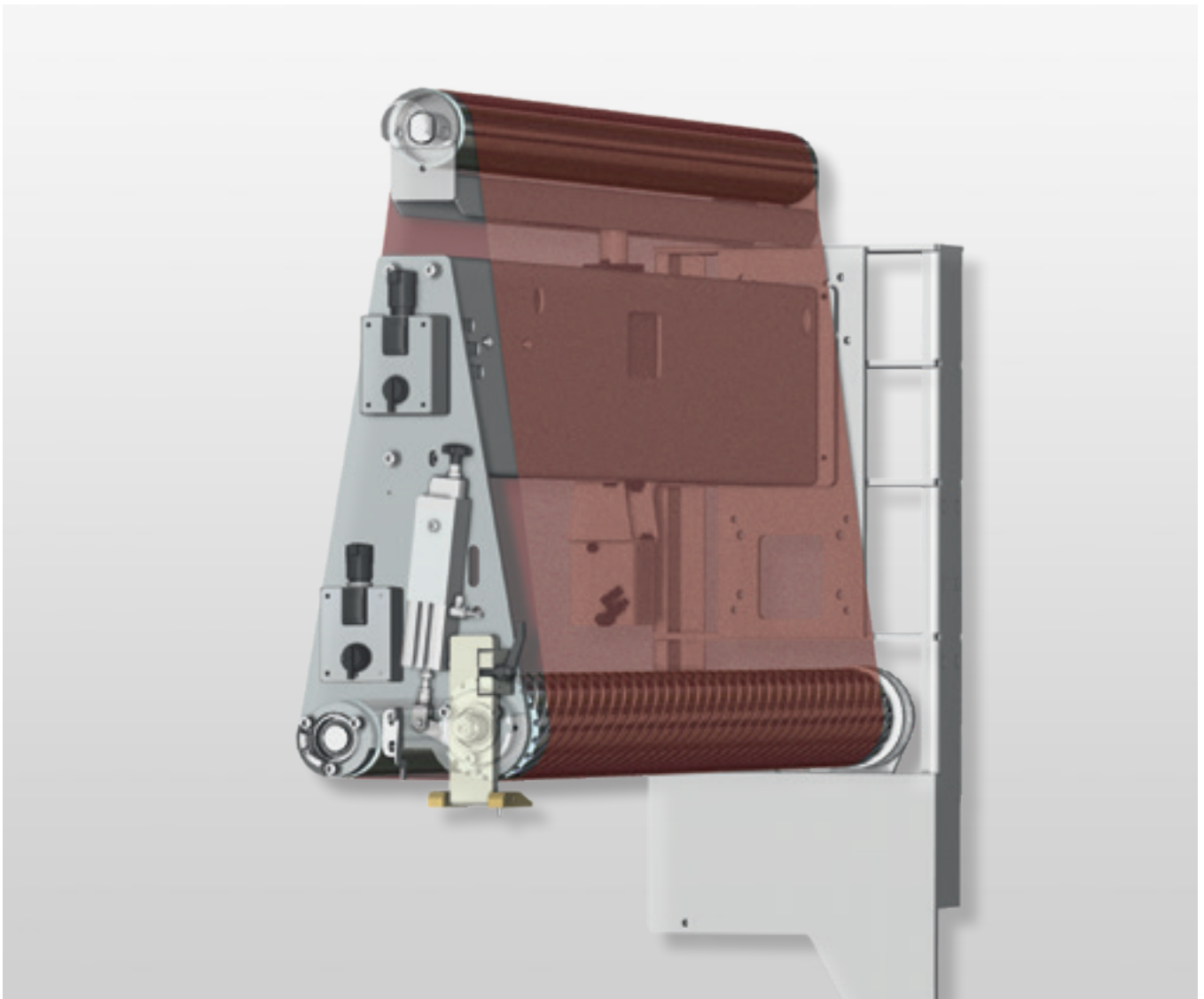
eps® segmented pneumatic pressure beam system with 50 mm segment width

- Constant cutting speed
- Performance sanding belt set

Advanced

eps® segmented pneumatic pressure beam system with 25 mm segment width

- Variable cutting speed
- Sanding belt blow-off device in reverse rotation
- Advanced sanding belt set



Standard

Motors with 15 kW

- Drive power, together with material hardness, sanding materials and feed speed determine maximum chip removal



Optional

Profiled contact rollers made of:

- Steel
- Rubberized in different Shore hardnesses



Optional

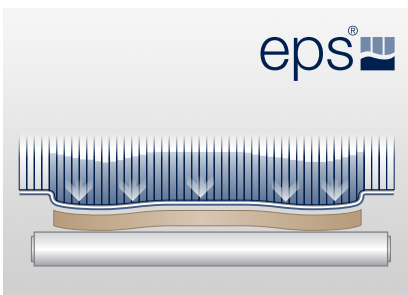
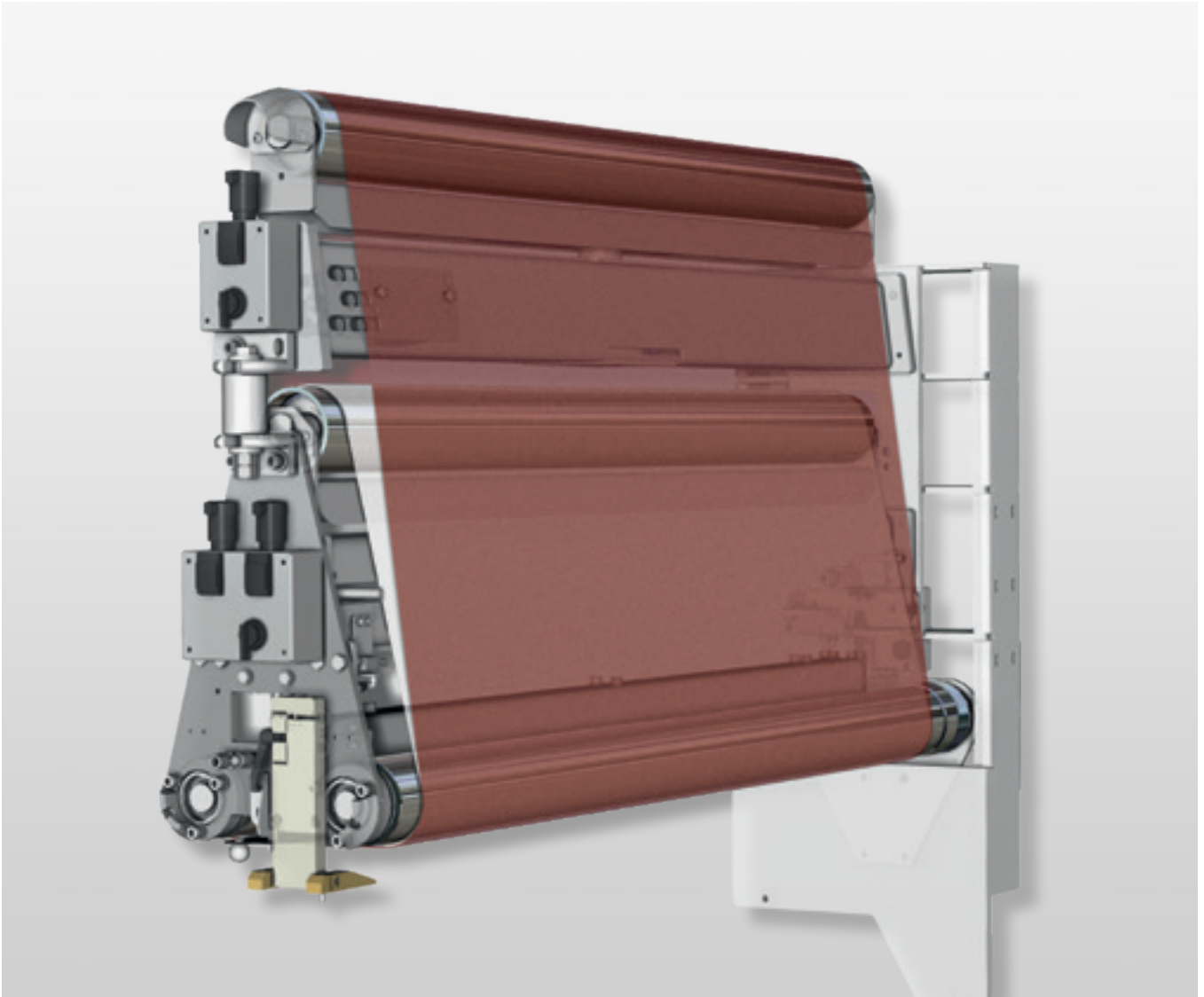
Sanding belt blow-off device

- Higher surface quality and longer sanding belt tool life.

Optional

Frequency controlled motors

- If a defined surface quality is required.

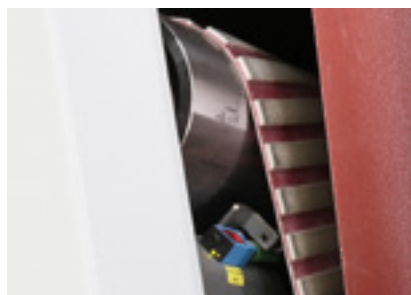


Standard

- eps® segmented pneumatic pressure beam system with 50 mm segment width

Optional

- eps® segmented pneumatic pressure beam system with 25 mm segment width



Standard

Lamellar pressure belt

- Particularly fine finish



Standard

Head locking

- Safe and simple quick lock of heads and fast change of sanding belt.

H-Head |

Fine sanding to perfection

Do you place value on high-quality surfaces? Then you are in the right place. This head is suitable for veneer, paint and filler sanding.

- By using the pressure pad with eps® system thickness tolerances of up to 2 mm are compensated.
- Can adapt to the most varied of materials thanks to infinitely variable cutting speed (optional)
- No 'sand throughs' on the surface or at edges.
- A homogeneous, smooth surface is produced particularly by the use of the lamellar pressure belt. This prevents unwanted oscillation lines.

- Lower sanding temperatures increase the tool life of the sanding tool.

Applications:

- High-quality sanding finish on a variety of surfaces
- Paint and filler sanding up to very fine grains
- Solid wood pulp, particularly in the case of frame parts

Range of useful grains:

- High gloss preparation sanding up to P1200 grit

“When it comes to highest surface quality in wide-belt sanding, then the H-Head is the specialist...”

Johannes Sedlak, Central Sales Surface Processing, HOMAG



Standard

Motors with 15 kW

- Drive power, together with material hardness, sanding materials and feed speed determine maximum chip removal.

Optional

Frequency controlled motors

- If a defined surface quality is required.



Standard

Simple installation of sanding belt

- Positioning units at the head provide an easy change of the sanding belt.



Optional

Sanding belt blow-off device

- Higher surface quality and longer sanding belt tool life.



1

Barrel brush head | 3D finish

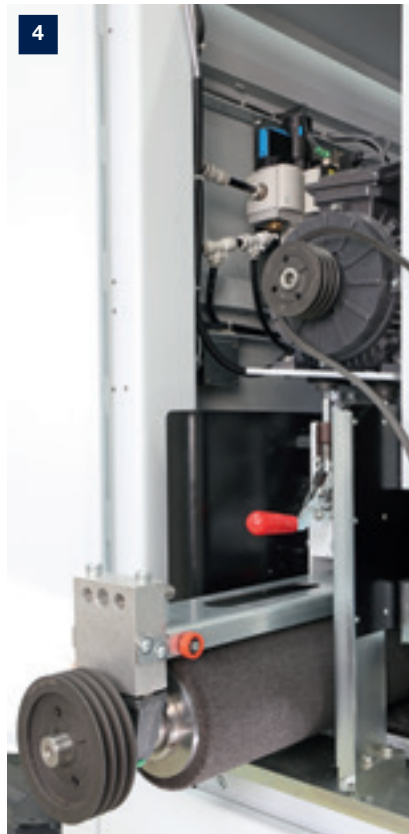
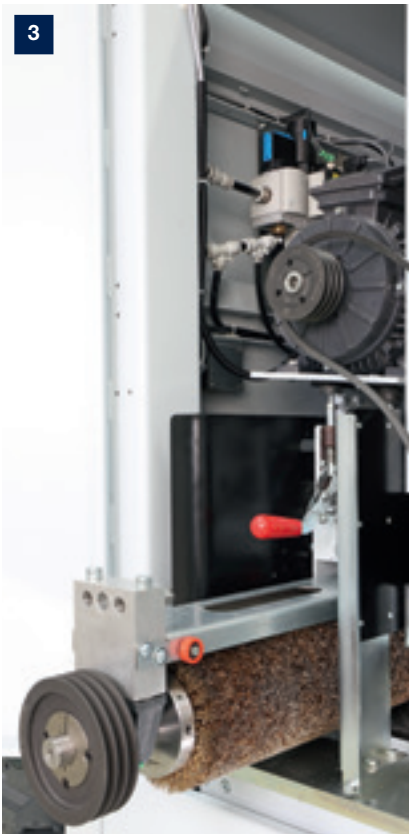
- Fine sanding of wood and wood-based materials, as well as painted surfaces
- Refining the sanding pattern of upstream processes
- Suitable for machining three-dimensional workpiece surfaces

2

Structuring brush Anderlon

- Ideal for light to medium structuring of hard- and softwood

Optional brush with quick-change device



3

Structuring brush Stranded wire

- Well suited for intense structuring of hard- and softwood

4

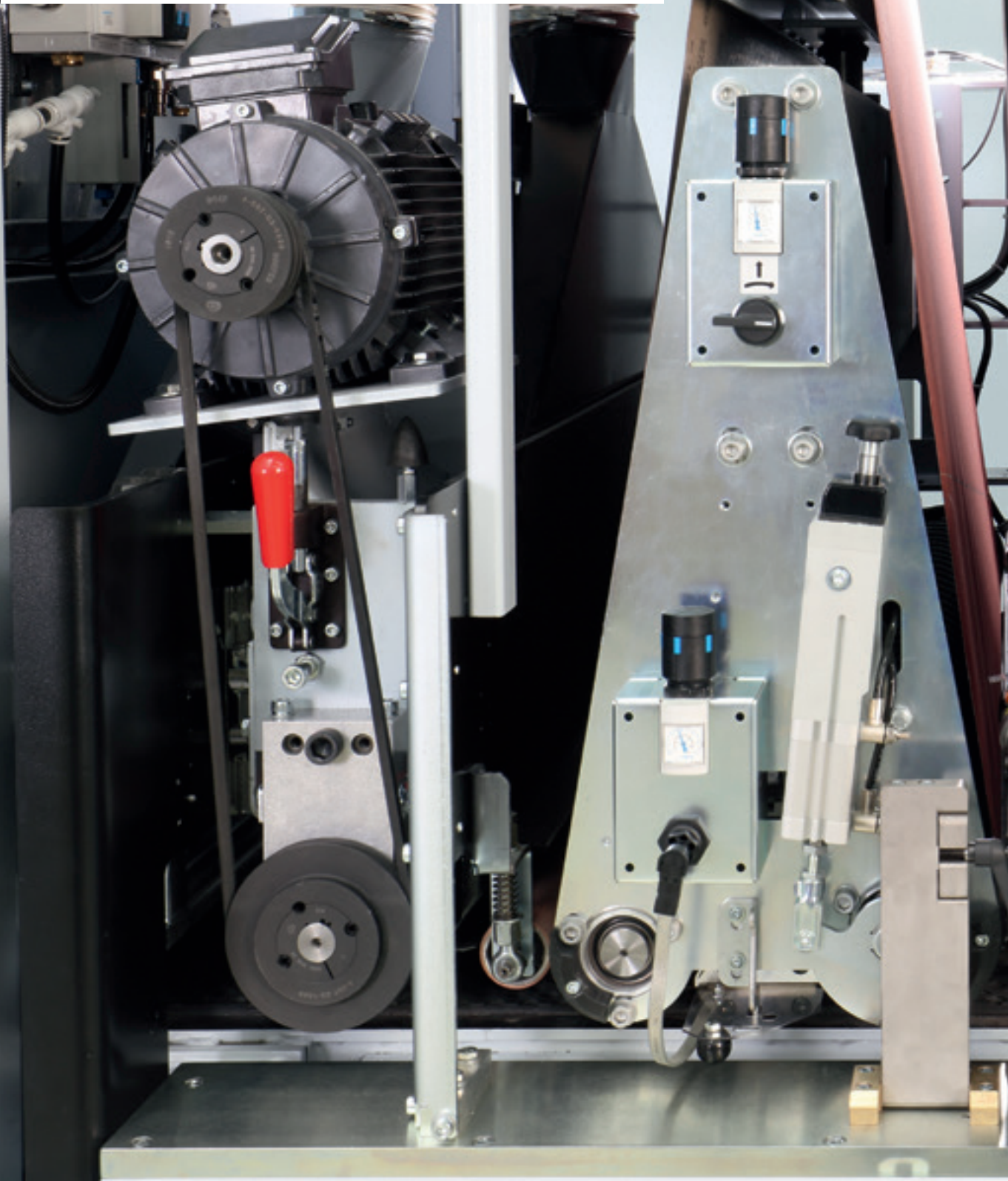
Glazing brush

- Recommended to smooth and to emphasize pores on lacquered surfaces

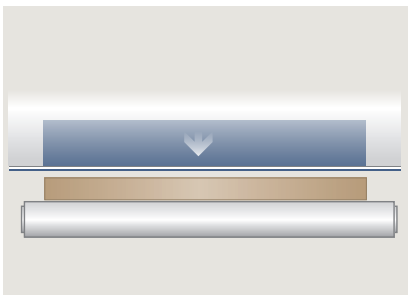


Everything under control with the operating concept of the SANDTEQ W-200

Here, everything has its order. From setting the belt tension to the automatic head locking mechanism to the grain offset — everything is clearly structured and logically organized.







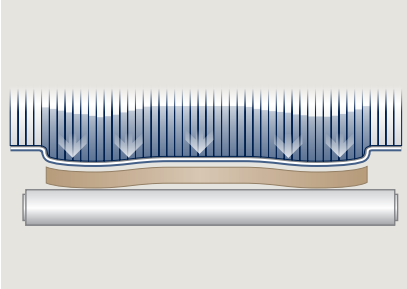
The non-segmented pressure beam evenly sands workpieces. It is often used directly downstream of calibration heads.

acp[®] – the air cushion sanding pad

Efficient and accurate sanding – the acp[®] controlled pneumatic pressure beam system detects incoming workpieces and thus controls the engagement and disengagement of the sanding pad on the front and rear edge.

Highlights:

- **Pneumatic pressure pad system for the right pressure over the entire working width**
- **Adjustable sanding pressure for consistent surface quality**
- **Optimal for processing solid wood**



Pressure and compensation behaviour of the individual segments for warped workpieces or workpieces with thickness tolerances. Within the tolerance range of max. 2 mm, the same contact pressure is always exerted on the various parts of the workpiece.

eps[®] – the electro-pneumatic pressure beam

The machine's electronics ensure the optimum sanding pressure on all areas of a workpiece, guaranteeing a perfect sanding result. The EPS[®] system developed by HOMAG meets these requirements perfectly. For example, the individual segments automatically adjust themselves to uneven sections in the workpiece within a tolerance range of max. 2 mm to ensure that each part of the workpiece always receives the correct sanding pressure. Moreover, differences in thickness from workpiece to workpiece are easily handled. The eps[®] system works electro-pneumatically with a segment width of 50/25 mm (25 mm Option).

Highlights:

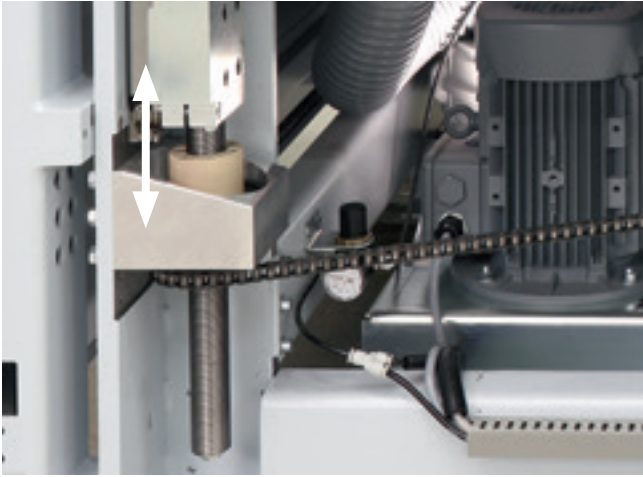
- **Electronically controlled segmented pressure beam system for efficiently retaining the pressure of the sanding belt**
- **25 mm segment width (Option) for perfect sanding results across all areas of the workpiece**
- **Automatic adjustment to the segments on the surface of the workpiece**
- **Up to 2 mm tolerance compensation**

eps[®] 



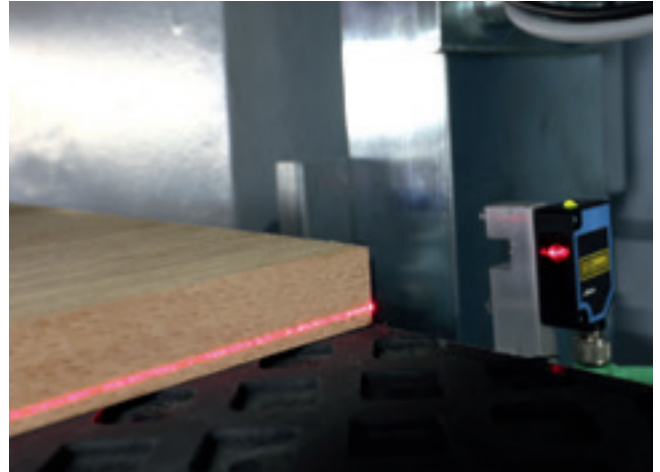
All inclusive

With the SANDTEQ W-200 you are provided with top-quality equipment from the very beginning. Elementary technologies that ensure lasting first-class processing quality are included as standard.



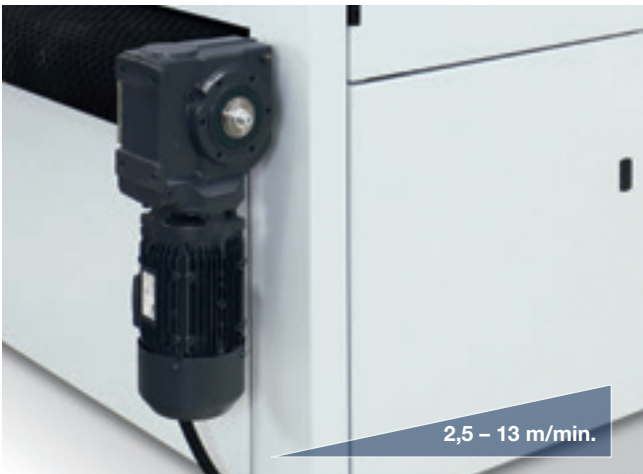
Workpiece thickness setting

- Workpiece thickness setting by four threaded spindles



Workpiece thickness measuring

- Device for automatic thickness measurement
- Machine set independently to the required thickness



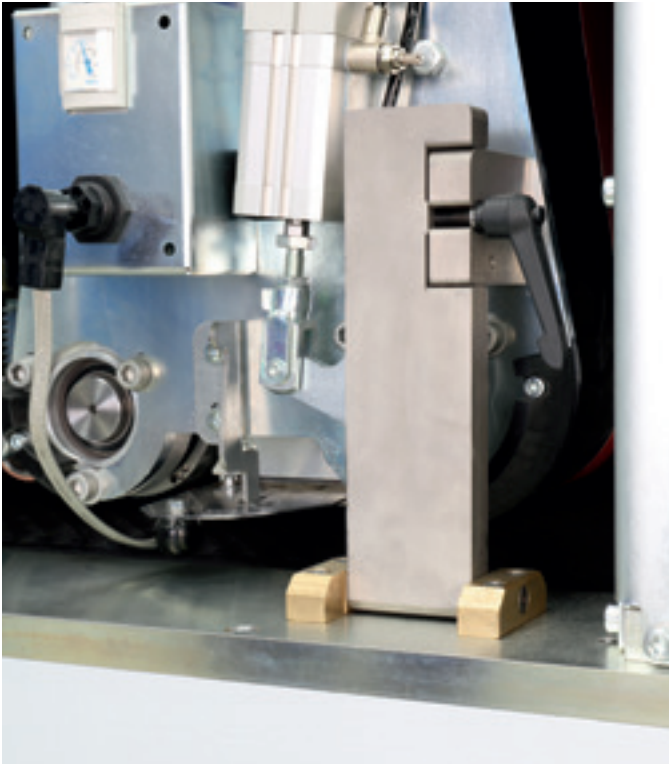
Feeding unit

- Frequency-controlled, infinitely variable feed
- High quality multi-ply conveyor belt



15" Touch-Display

- Easy, ergonomic operation by the large 15" touch display
- Precise and fast by finger touch
- Intuitive operation by clearly defined icons



Head locking

- Safe and simple quick lock of heads and fast change of sanding belt



Standard highlights include:

- Constant working height
- 15" Touchscreen Operator Terminal
- Infeed rollers ensure easy workpiece handling
- Thickness adjustment (3-200 mm) and constant working height (900 mm) by adjustment of the upper frame of the machine.
- Frequency-controlled, infinitely variable feed
- Maintenance-free, electronic brake assembly
- Opto-electronic sanding belt controller
- Prepared slots for retrofitting various brushing and cleaning heads

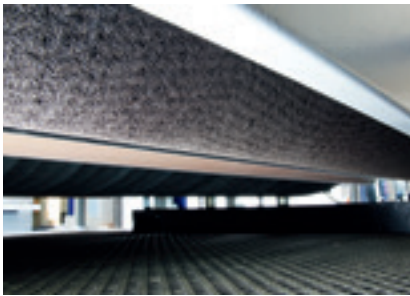
Contactless sanding belt oscillation

- The sanding belt is controlled via large light sensors
- This produces an exceptionally calm oscillation



Folding table

- Stable folding table — A useful addition when space is tight



Powered finishing brush

- For gentle cleaning of the workpiece surface with horse hair trim



Cart

- For facilitating exchange of brush heads, on change rack



Workpiece cleaning rotors

- Workpiece cleaning using rotating blow-off sprayers
- Ionisation unit to neutralise electrostatic charge for improved workpiece cleaning

Optional extras that are really worth it!

Would you like a little more? With our optional extras, you have all options you need to adapt your wide-belt sanding machine to the requirements of your production.



Also available (not shown):

- Frequency inverter for brush
- Rubberised contact rollers
- Roller table at outfeed

Air-jet belt blower

- Integrated air-jet belt blower
- Workpiece-controlled for low compressed air consumption



Vacuum clamping system

- For safe transport of small resp. lacquered workpieces
- Option 1: integrated
- Option 2: divided vacuum table, recommended for small workpieces



Air-conditioner

- Air-conditioning unit for switch cabinet for regions with high ambient temperatures



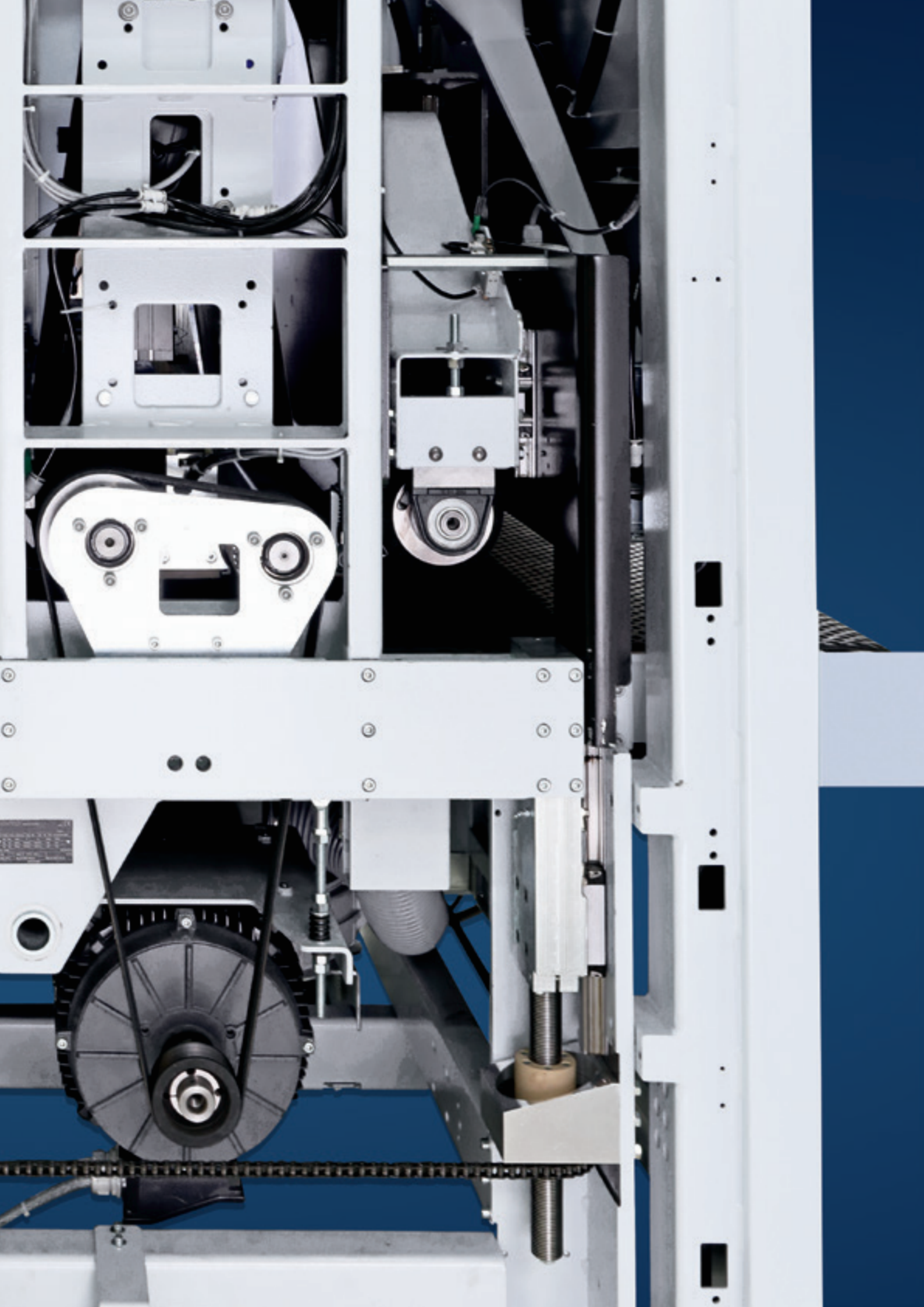
Infinitely variable control of the cutting speed

- Speed control via the frequency converter
- Power transmission via Poly-V-belts.



The drive side of the SANDTEQ W-200

The stable machine frame has been designed with considerable experience and industry expertise. This has made for exceptional smoothness and torsion resistance. Clearly the benchmark in this class.





Technical data

This series covers a wide range of applications. The SANDTEQ W-200 with 1 or 2 heads and 1350 mm working width can be configured for all manner of applications.

SANDTEQ W-200		
Configuration	Model 215	Model 225
Number of heads	1	2
Working width mm/inch	1,350/53"	1,350/53"
Abrasive belt width mm/inch	1,370/54"	1,370/54"
Abrasive belt length mm/inch	2,150/85"	2,150/85"
Workpiece thickness min. – max. mm / inch	3-200 / 1/8" - 8"	3-200 / 1/8" - 8"
Compressed air consumption bar / max l/min (without options)	6 / 20	6 / 40 6 / 60 (RH / CH)
Dust extraction approx. m ³ /h (without options)	1,830	3,660
Length / Width / Height mm	2,342 / 1,911 / 1,997-2,194	2,342 / 1,911 / 1,997-2,194
Total connected load kW (without options)	18	33
Weight approx. kg	3,500	4,000



HC LIFE CYCLE SERVICES

Optimal service and individual consultations are included in the purchase of our machines. We support you with service innovations and products which are especially tailored to your requirements. With short response times and fast

customer solutions we guarantee consistently high availability and economical production – over the entire life cycle of your machine.



REMOTE SERVICE

- Hotline support via remote diagnosis by our trained experts regarding control, mechanics and process technology. Thus, more than 90% less on-site service required and consequently a faster solution for you!
- The ServiceBoard App helps to solve tasks in a fast, simple and concrete way. This is achieved by mobile live video diagnosis, automatic sending of service requests or the online spare parts catalog eParts.



SPARE PARTS SERVICE

- High spare parts availability and fast delivery.
- Ensuring quality by predefined spare parts and wear parts kits, comprising original spare parts.
- Identify and inquire for spare parts online under www.eParts.de 24/7, or buy even faster and more comfortably in the new HOMAG Webshop eCommerce.



MODERNIZATION

- Keep your machinery up to date and increase your productivity as well as your product quality, This is how you can meet tomorrow's requirements today!
- We support you with upgrades, modernization as well as individual consultancy and developments.



DIGITAL SERVICES

- ISN (intelliServiceNet) – The new remote service solution of the future! Fast restart of production because the remote service employee has extensive access to relevant physical data.
- intelliAdvice App – provides help for self-help. The preventive solutions proposed in the new App are the combination of our experiences and existing machine data.



SOFTWARE

- Telephone support and consultancy through software support.
- Digitalization of your spare parts via 3D scanning saves time and money compared to new programming.
- Subsequent networking of your machinery with intelligent software solutions ranging from construction to production.



FIELD SERVICE

- Increased machine availability and product quality by certified service staff.
- Regular checks through maintenance / inspection guarantee the highest quality of your products.
- We offer you the highest availability of technicians in order to reduce downtimes in case of unpredictable troubles.



For you more than...

1,350

service employees worldwide

90%

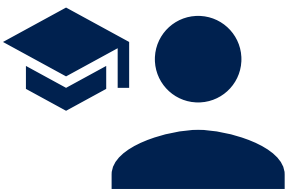
less on-site service thanks to successful remote diagnosis

5,000

customer training sessions per / year

150,000

machines, all electronically documented in 28 different languages – in eParts



TRAINING

- Thanks to training perfectly suited to your requirements, your machine operators can optimally operate and maintain the HOMAG machines.
- The training also include customer-specific training documents with exercises proven in practice.
- Online training and webinars. Learn without traveling, meet your trainer in the digital classroom.

HOMAG Group AG

info@homag.com

www.homag.com



YOUR SOLUTION